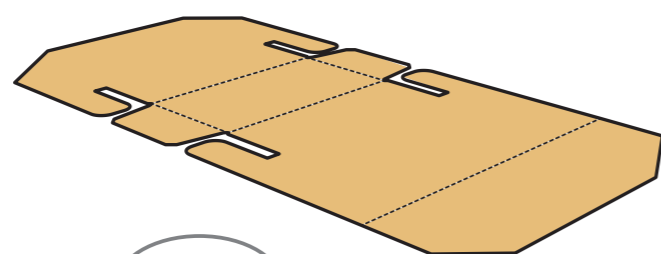
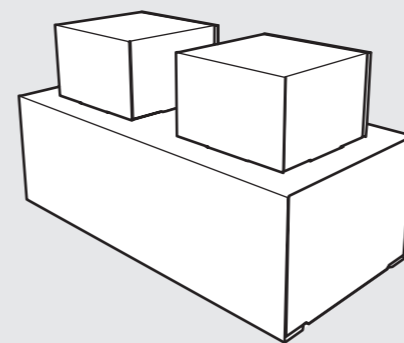
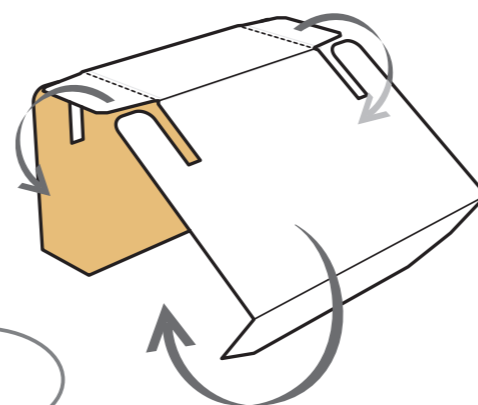


1x2 BLOCK

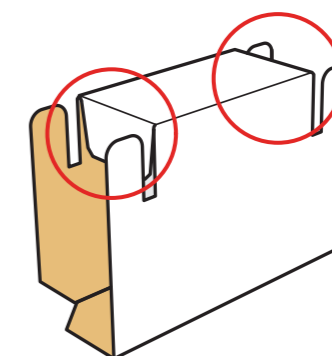
ASSEMBLY INSTRUCTIONS



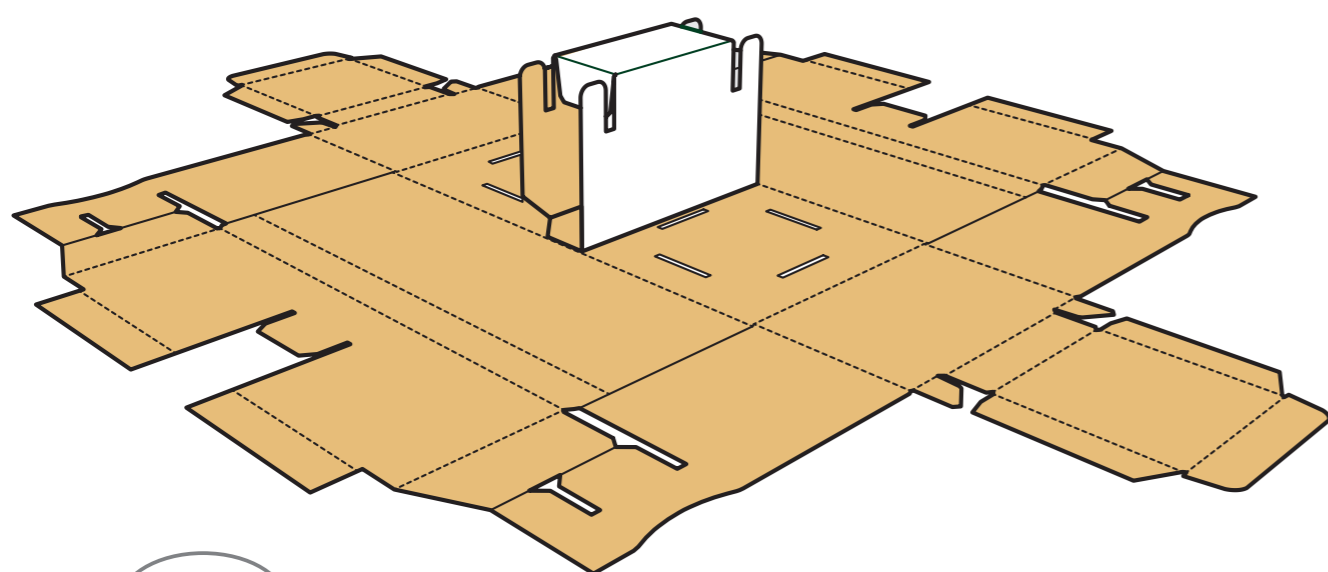
1



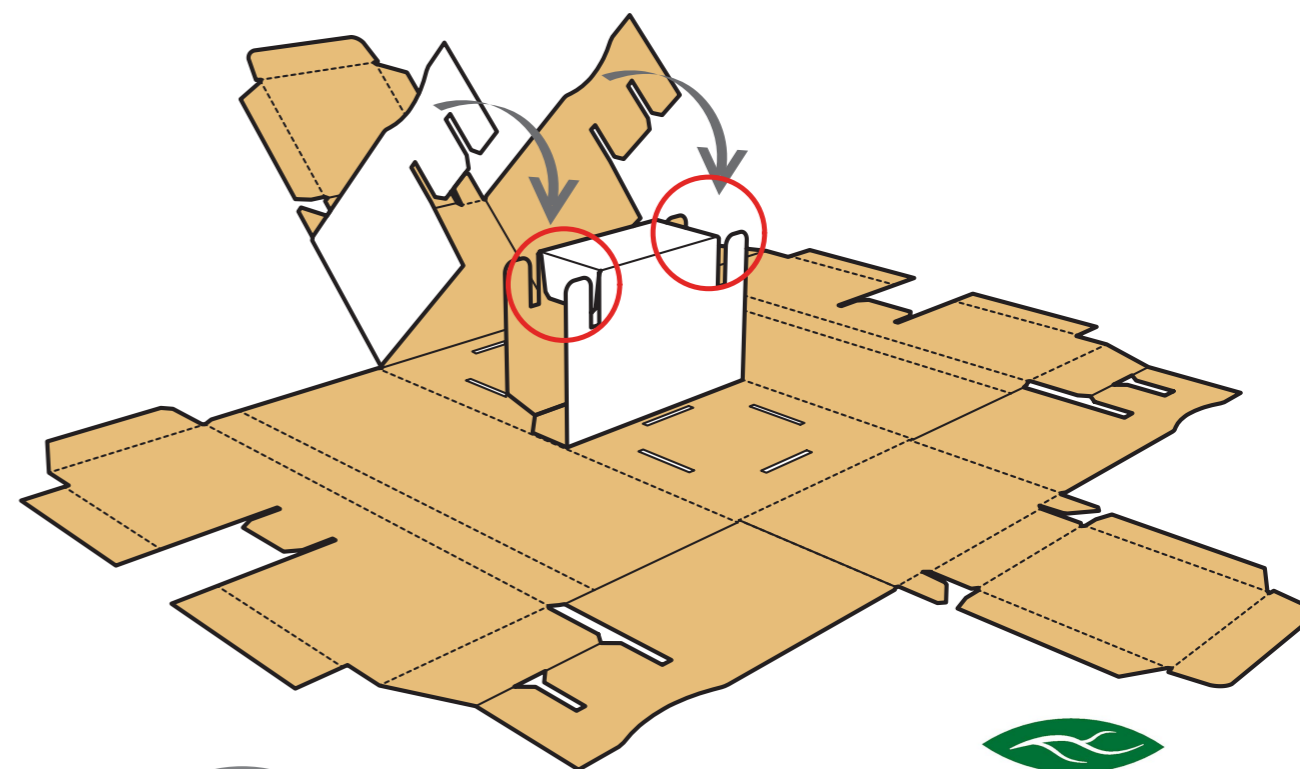
2



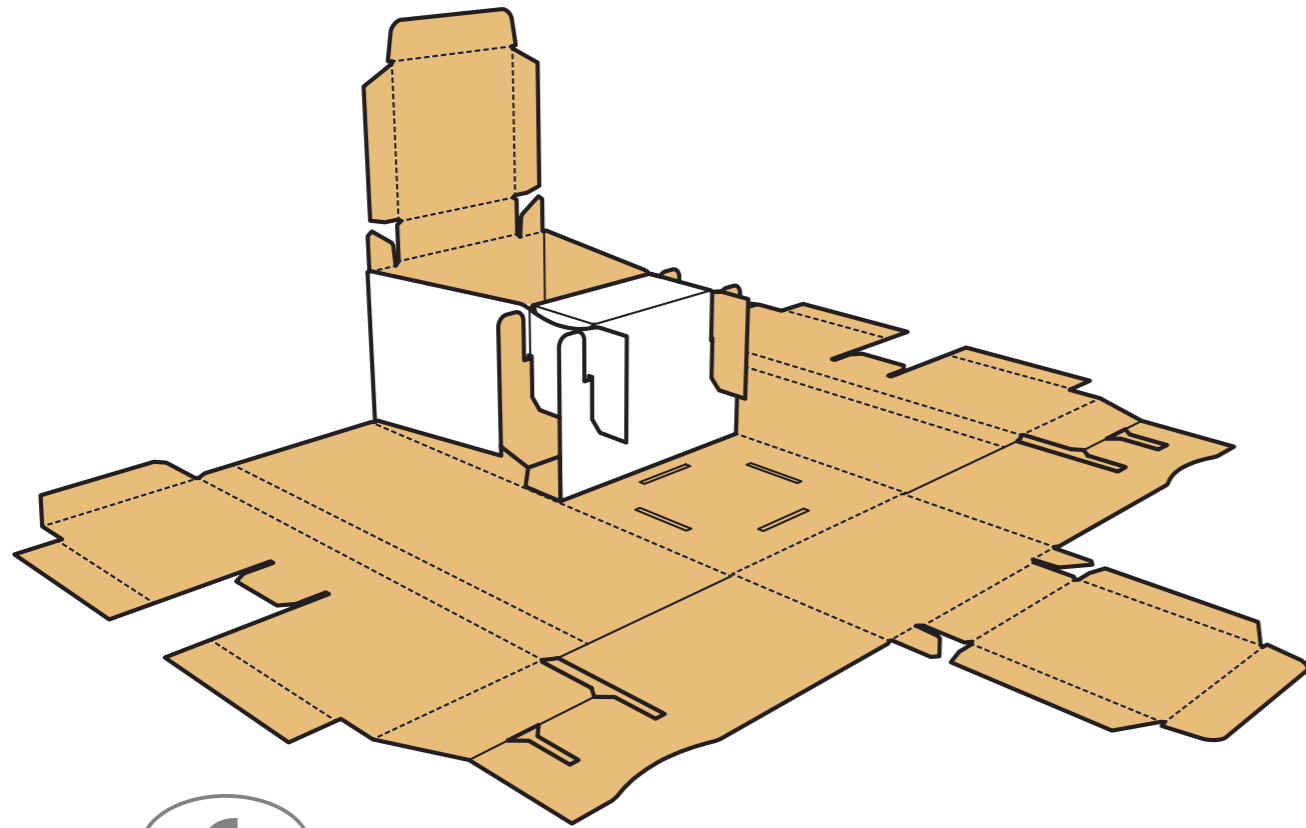
3



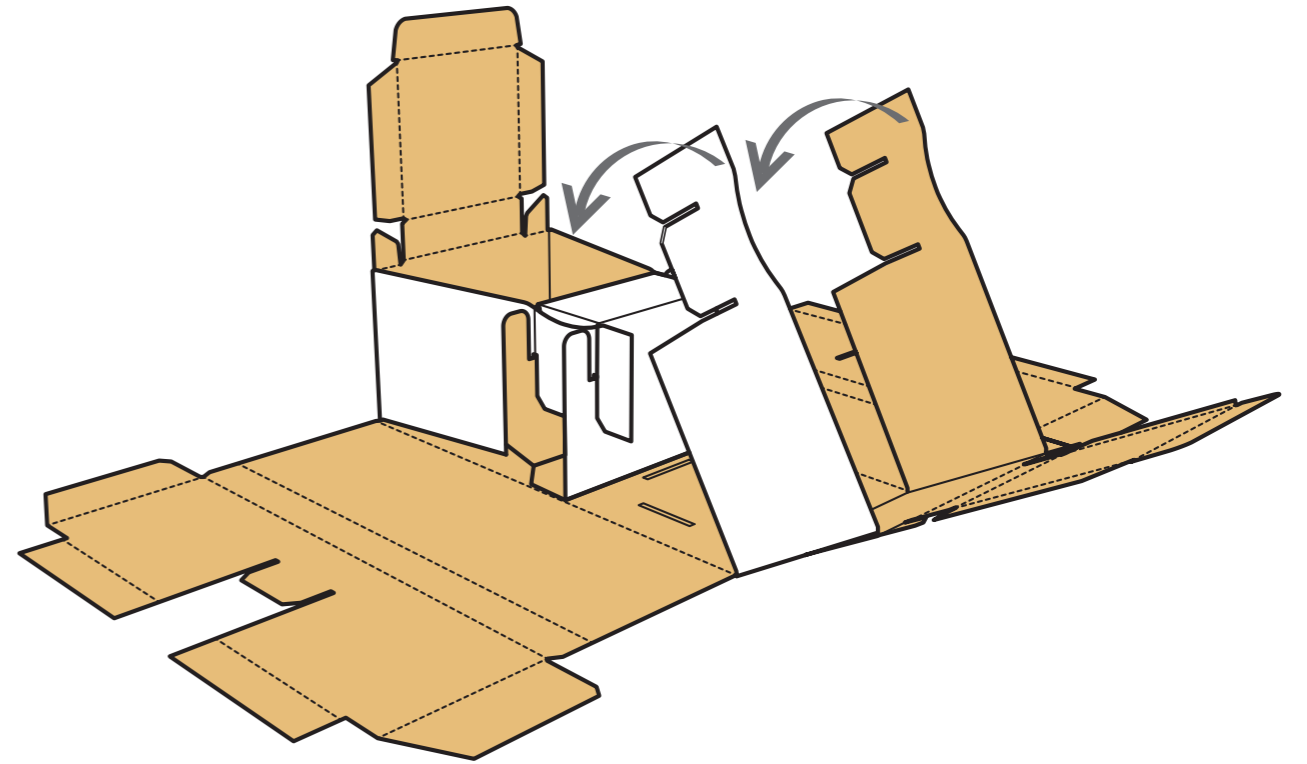
4



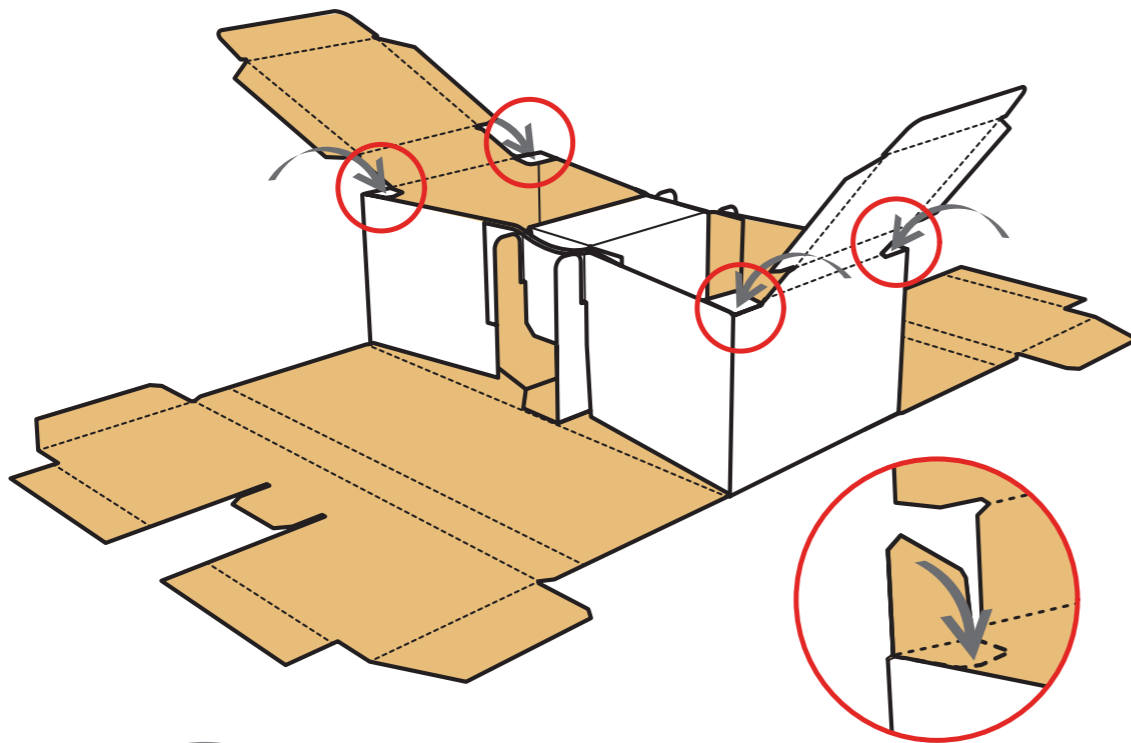
5



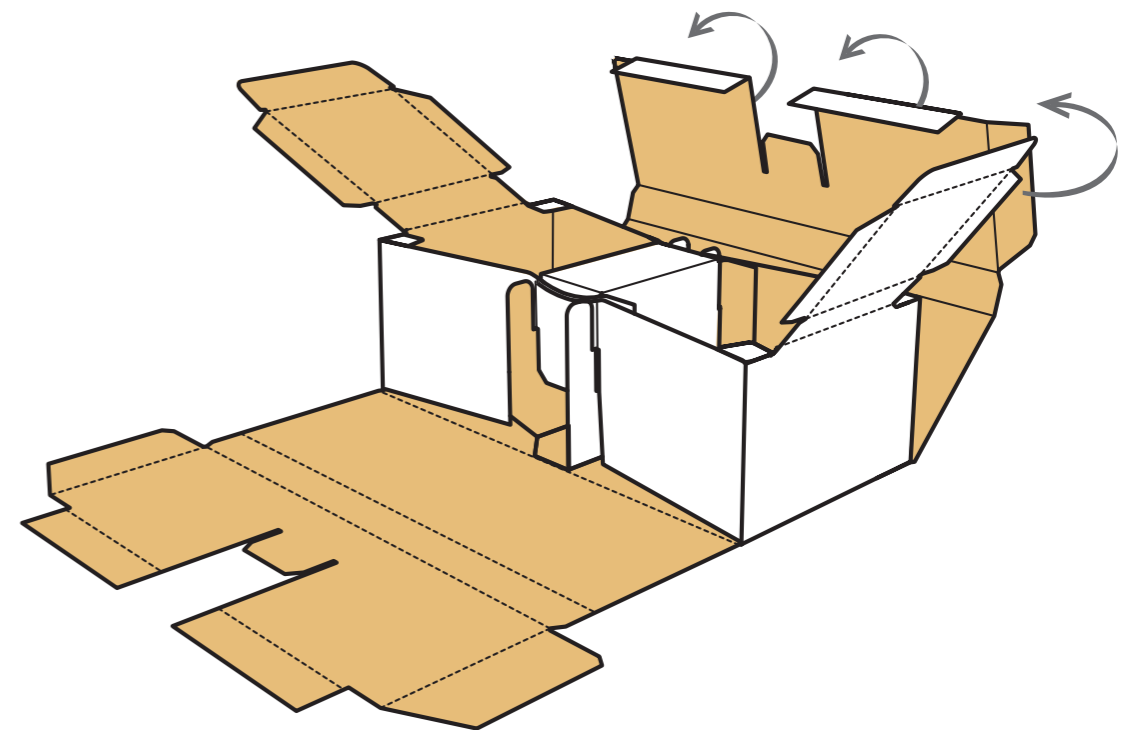
6



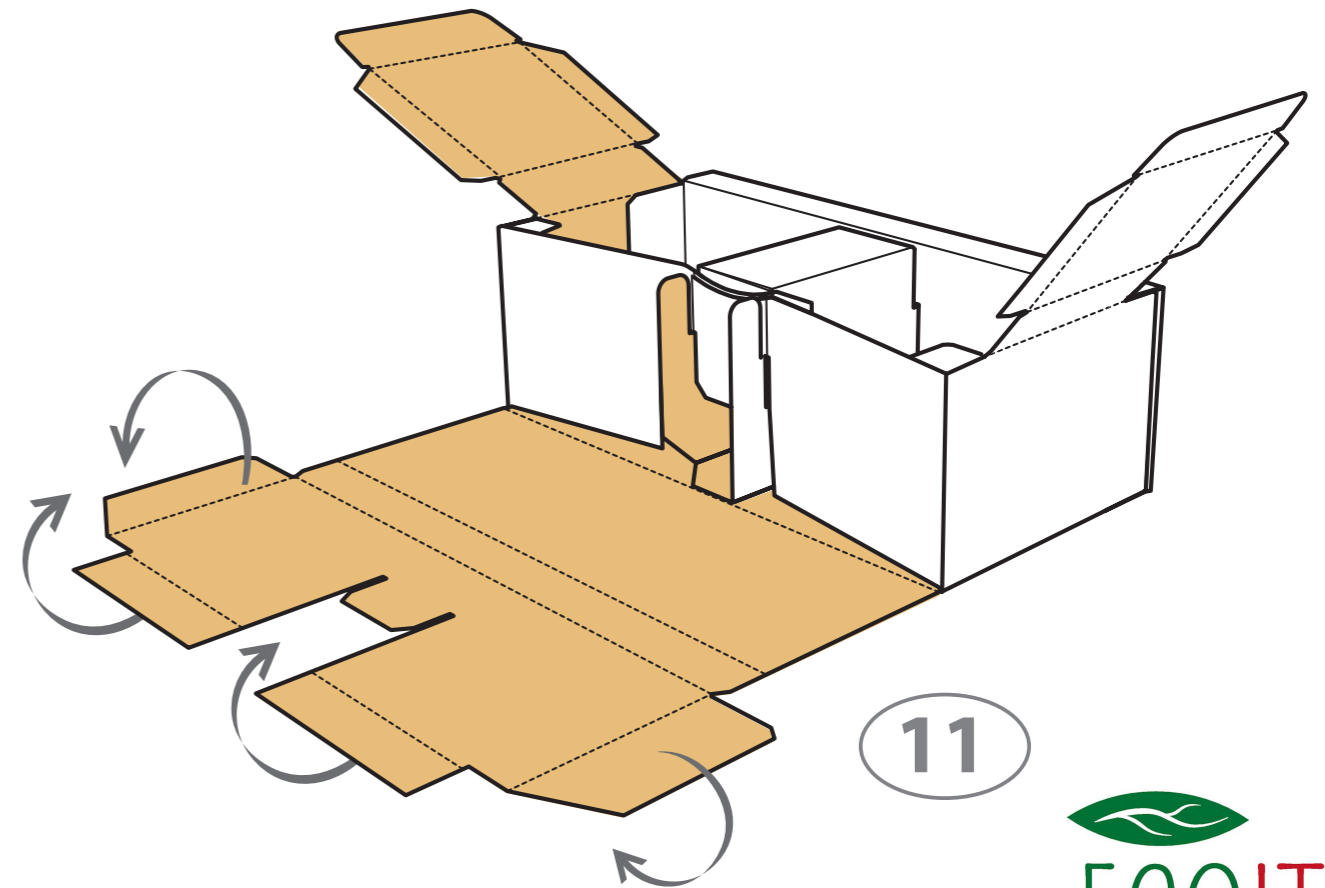
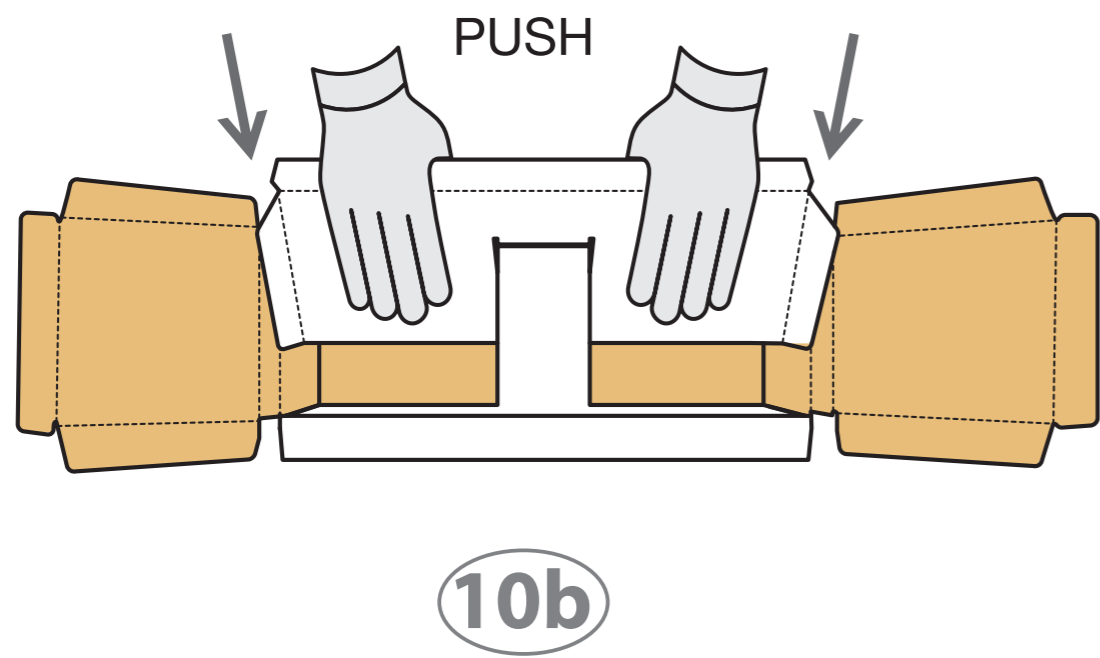
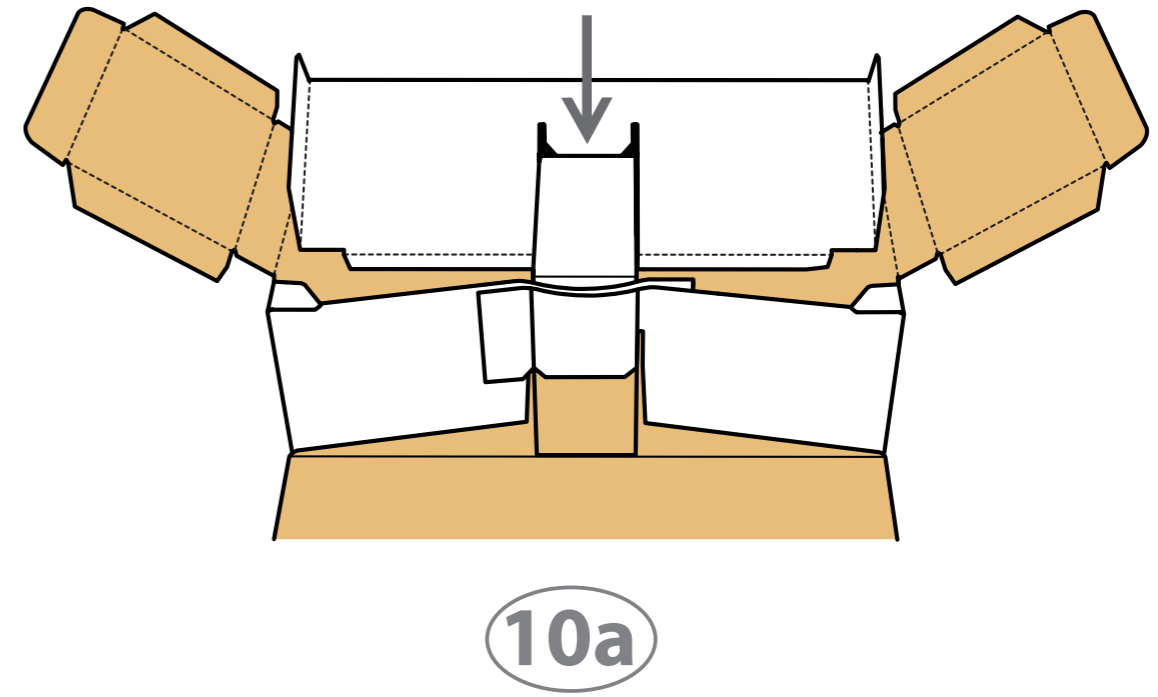
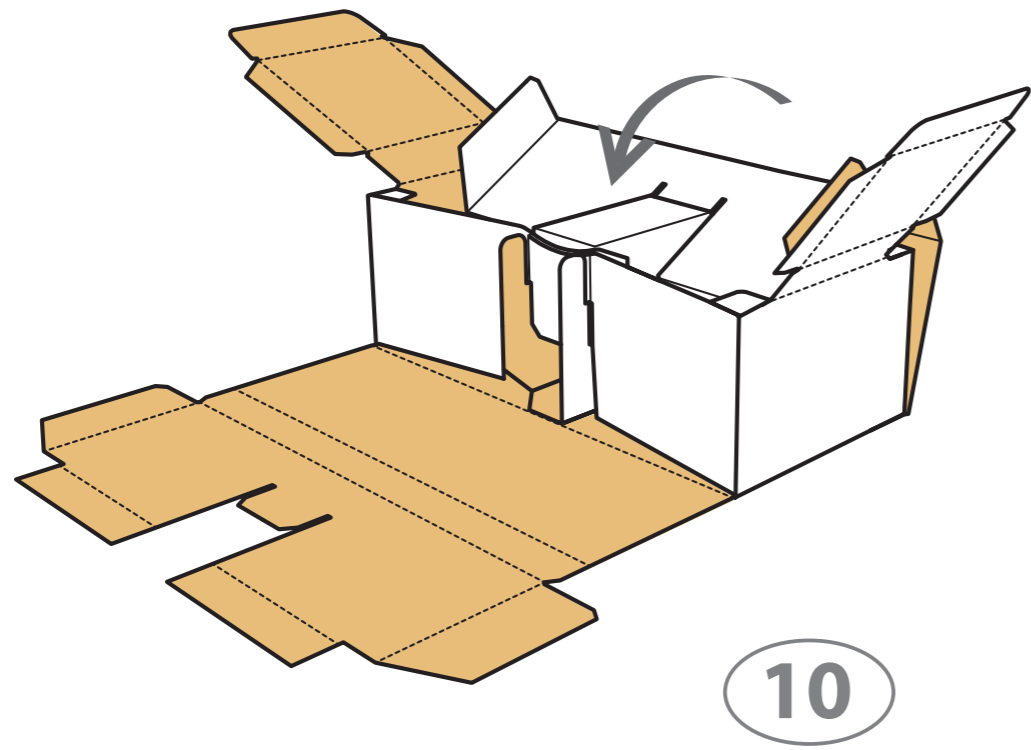
7

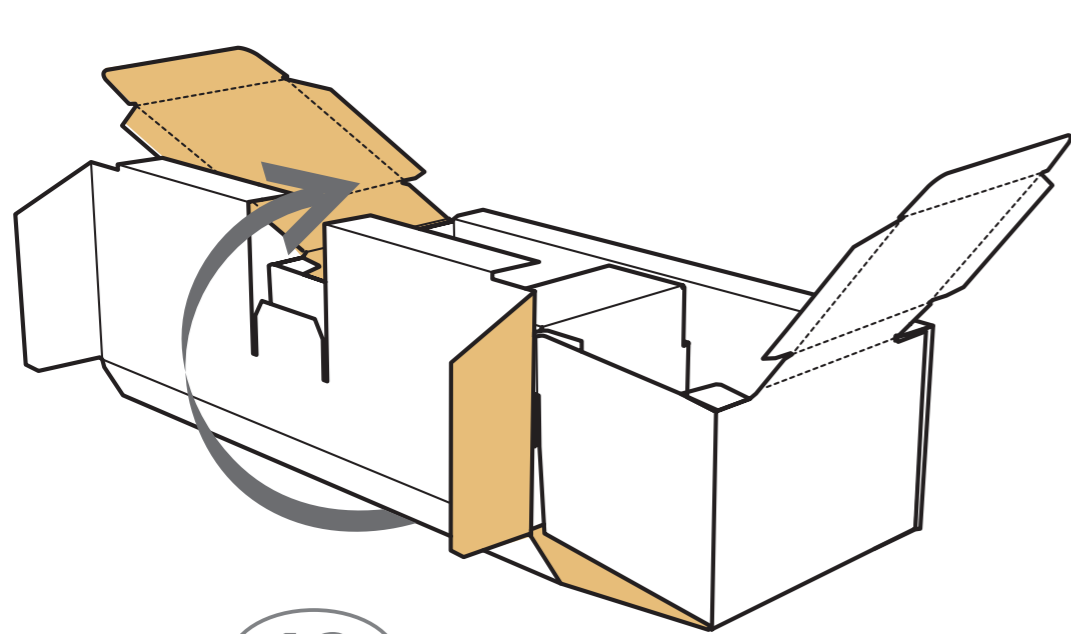


8

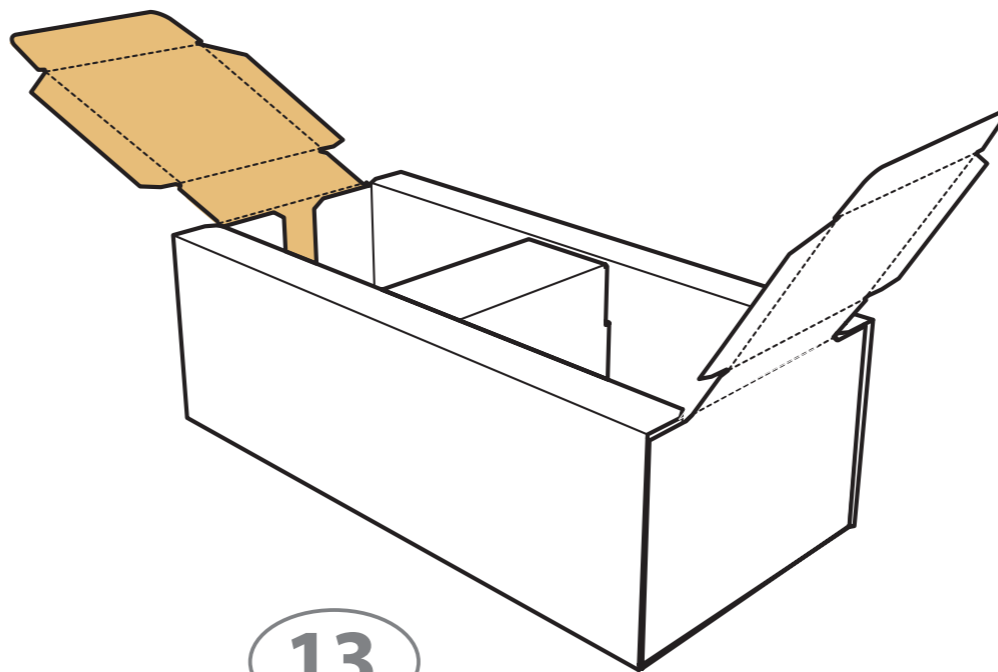


9

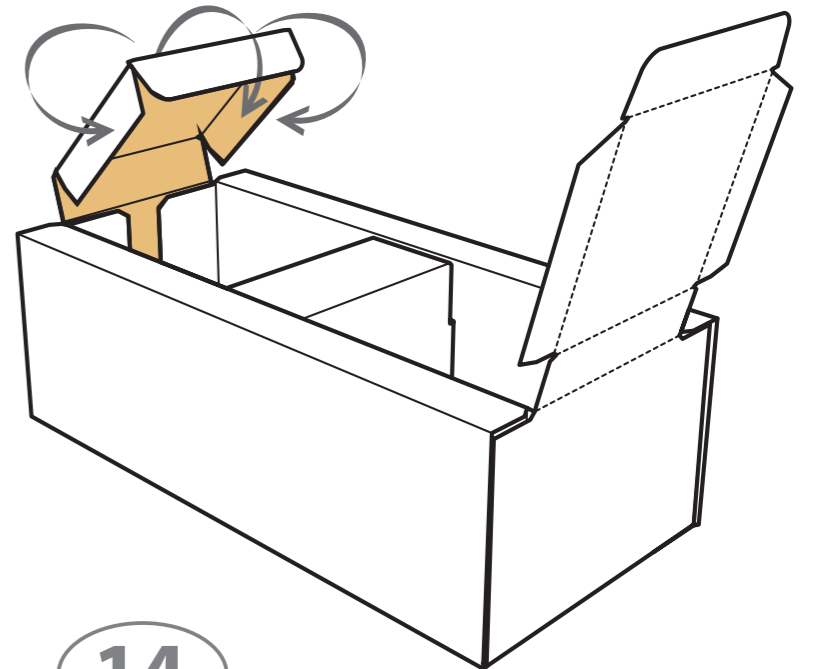




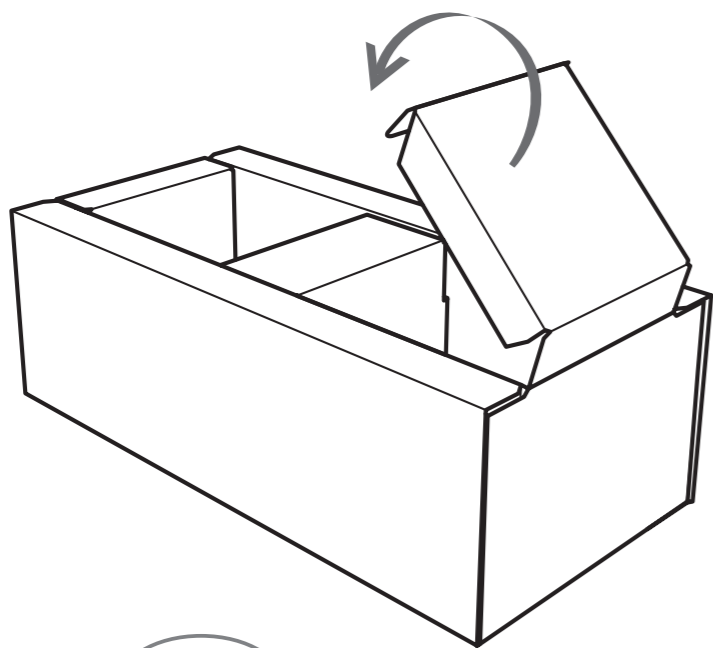
12



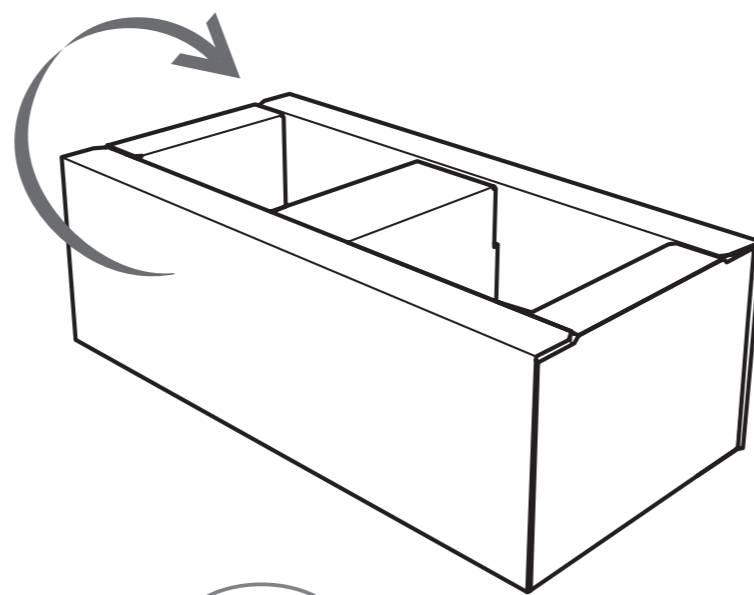
13



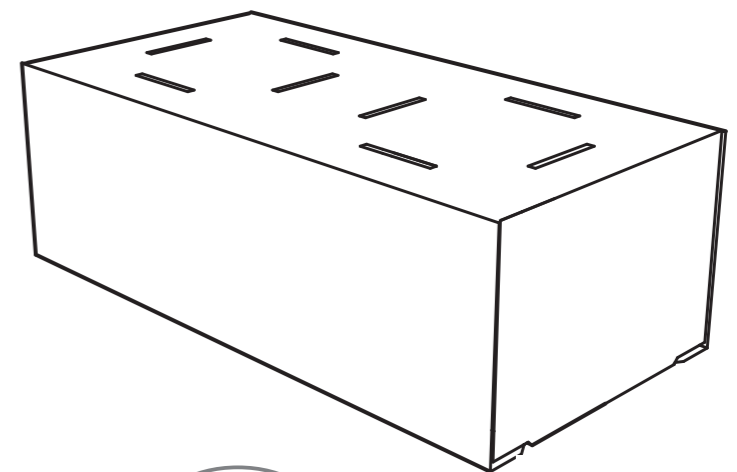
14



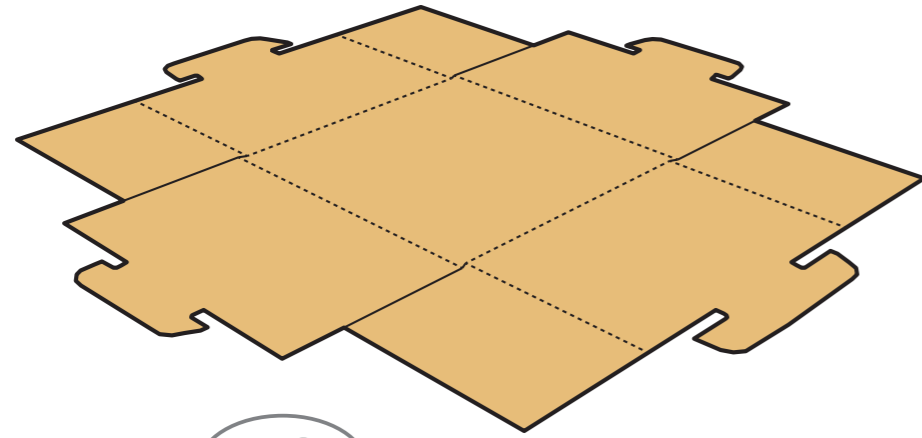
15



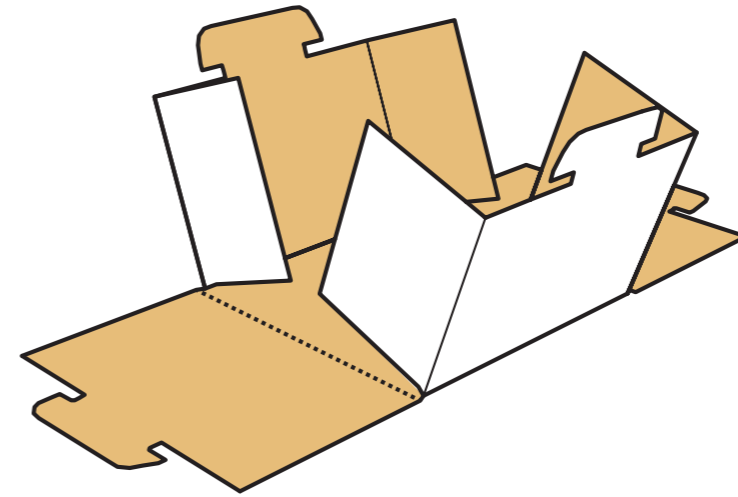
16



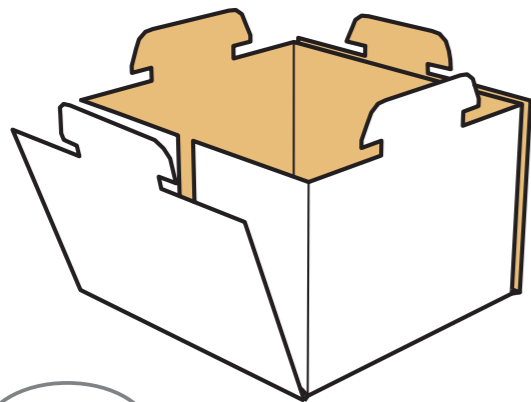
17



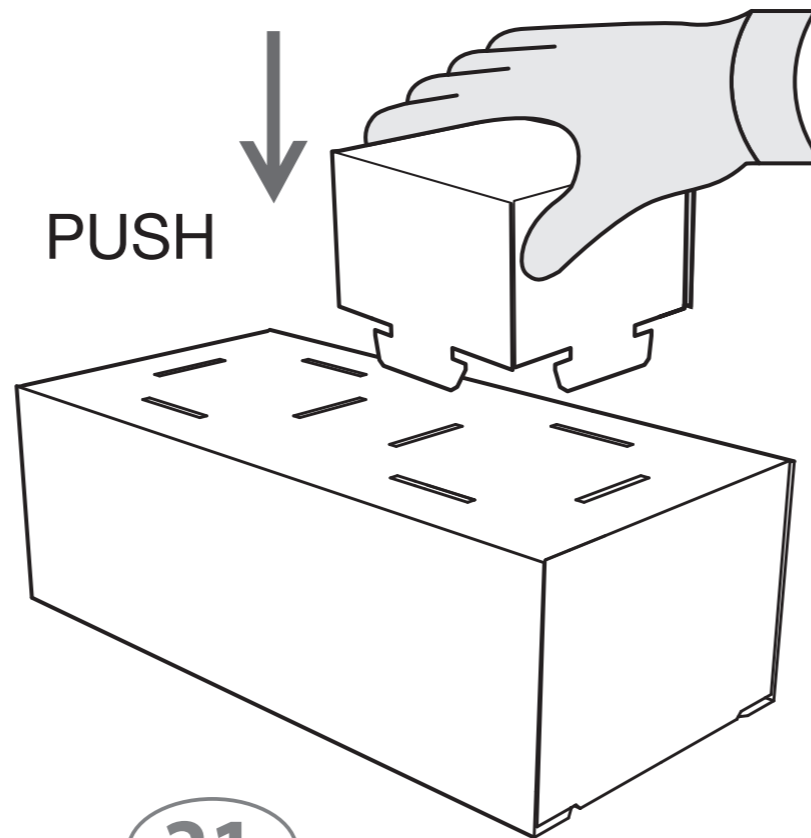
18



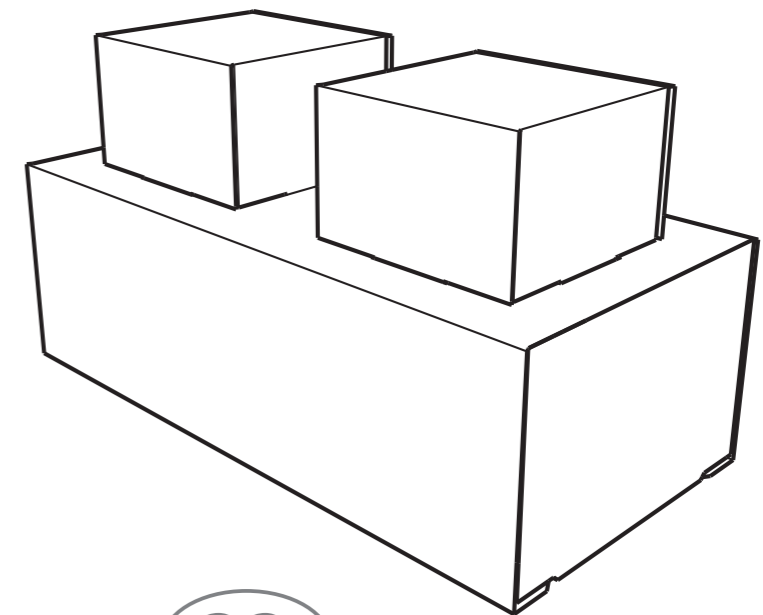
19



20



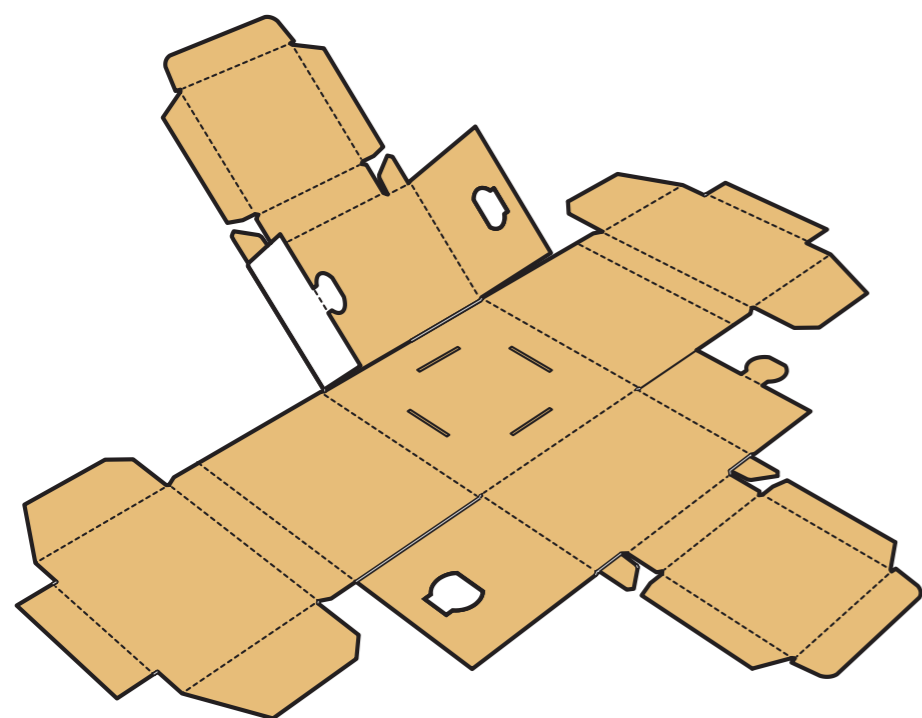
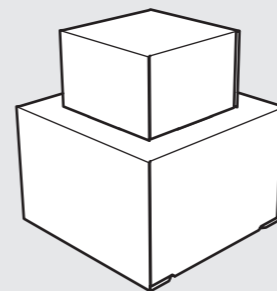
21



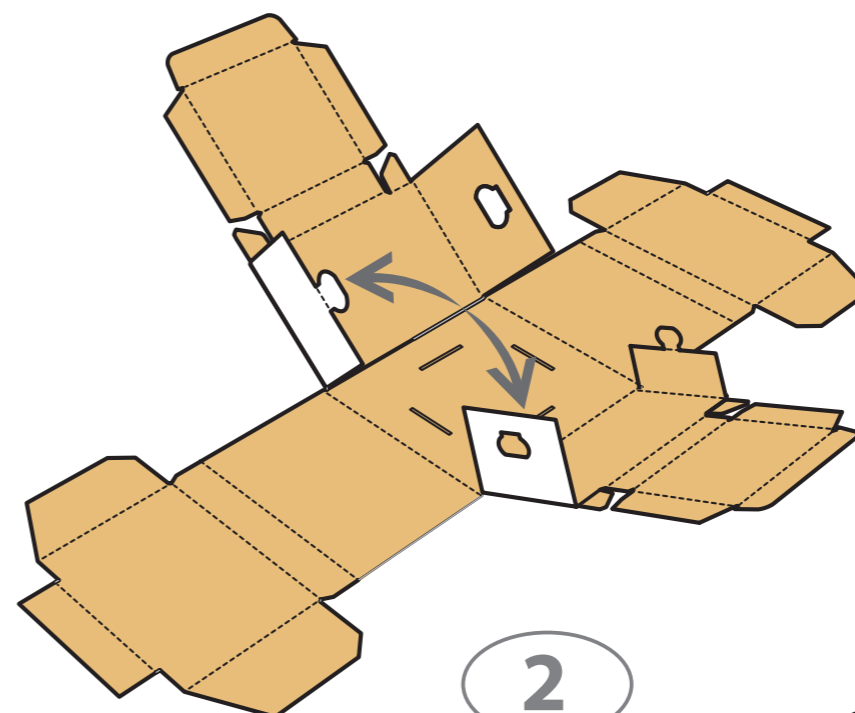
22

1x1 BLOCK

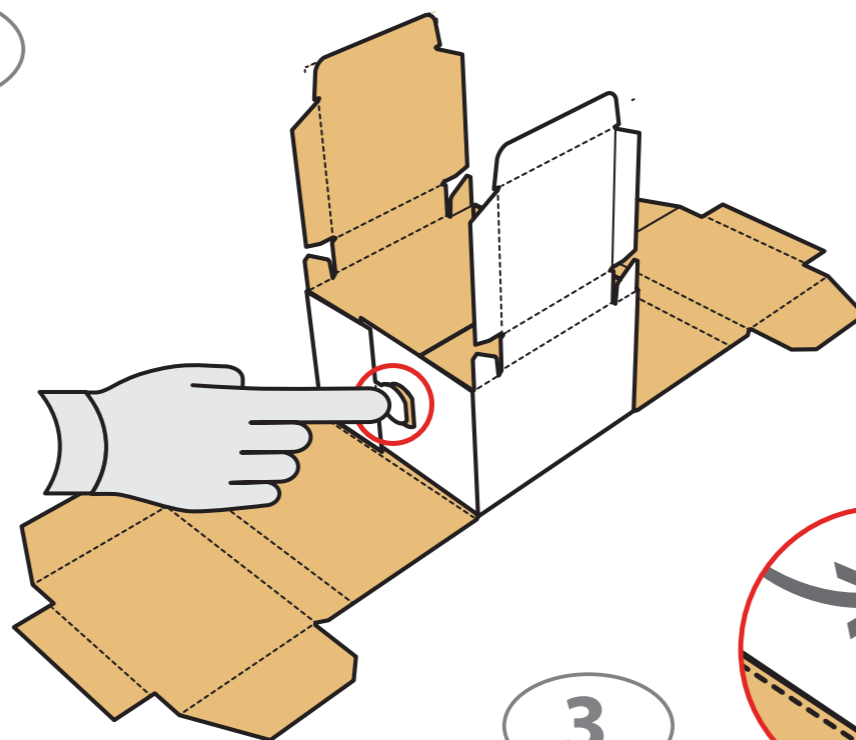
ASSEMBLY INSTRUCTIONS



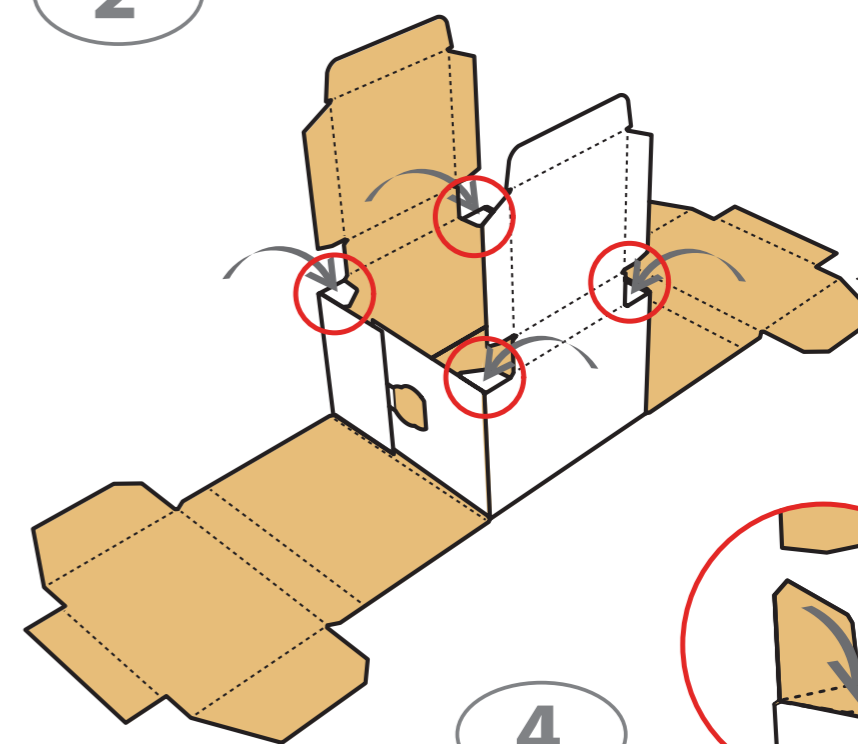
1



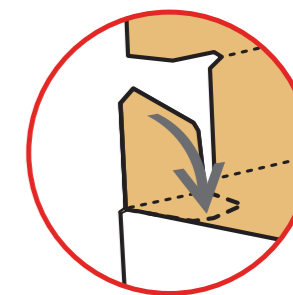
2

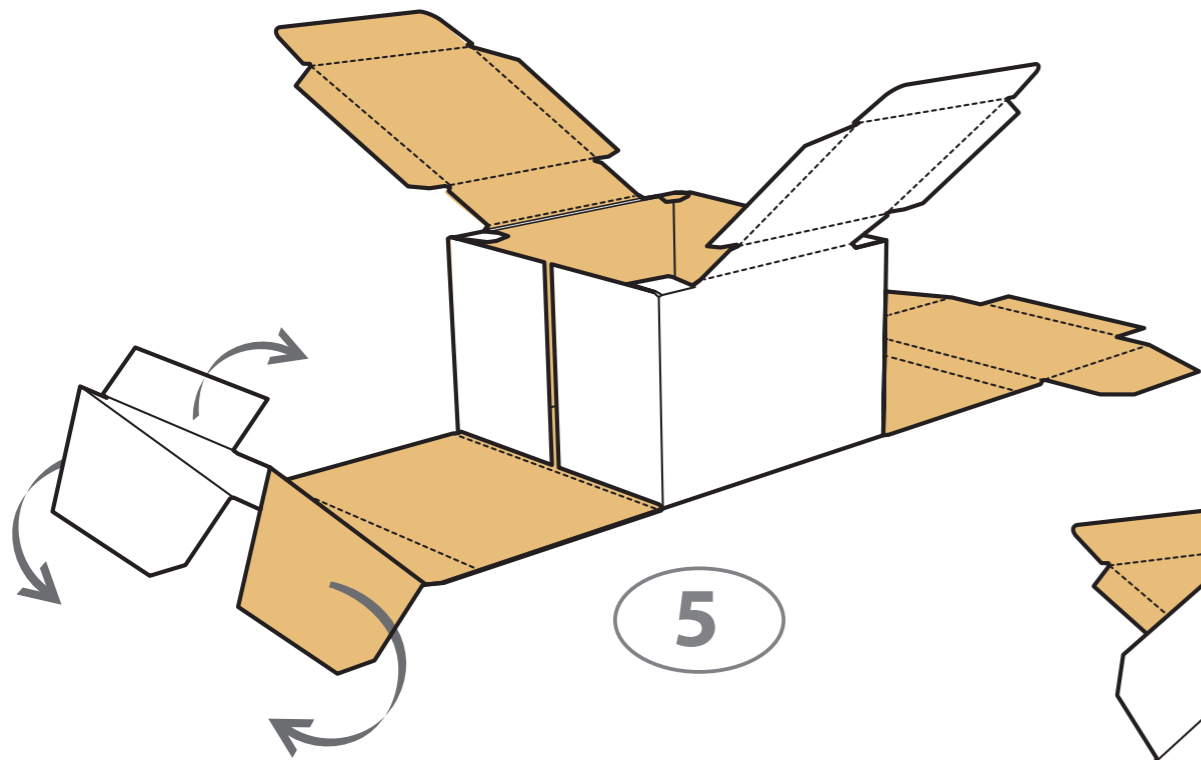


3

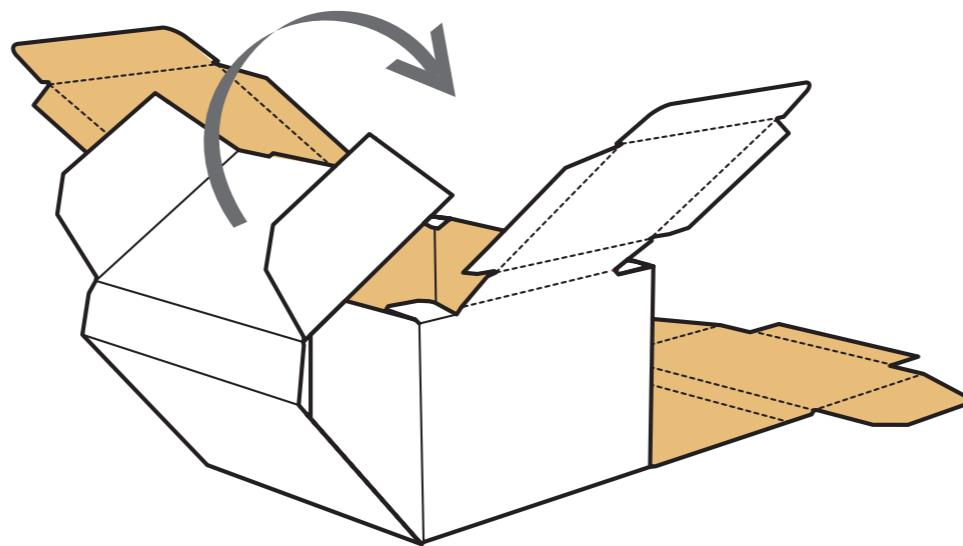


4

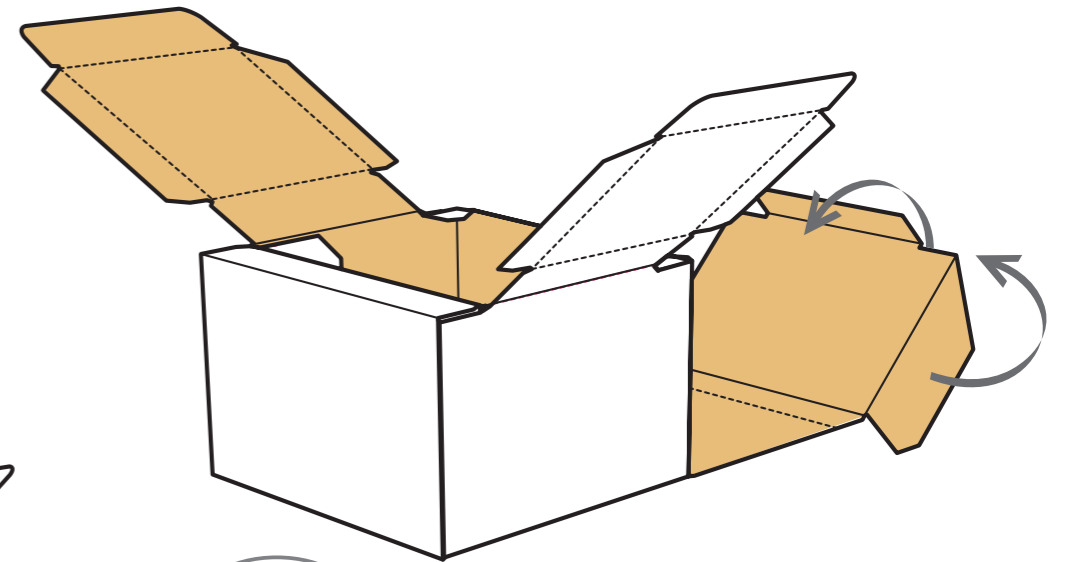




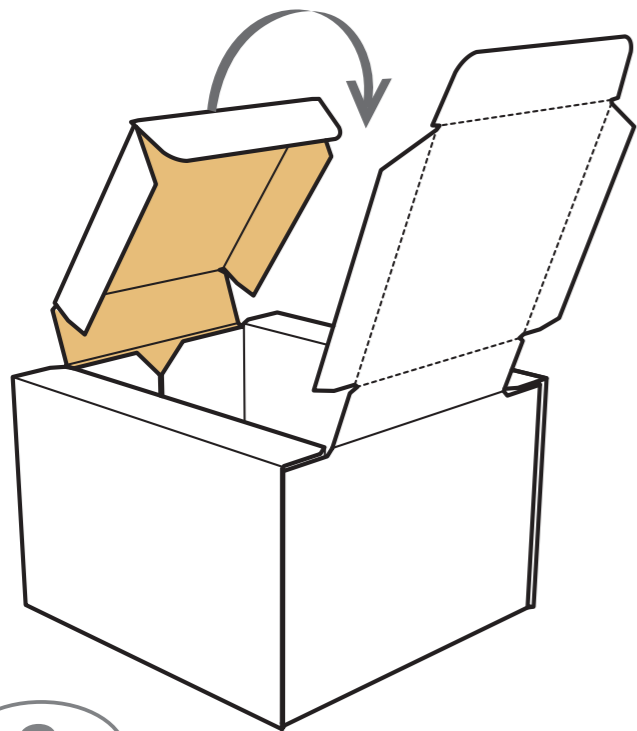
5



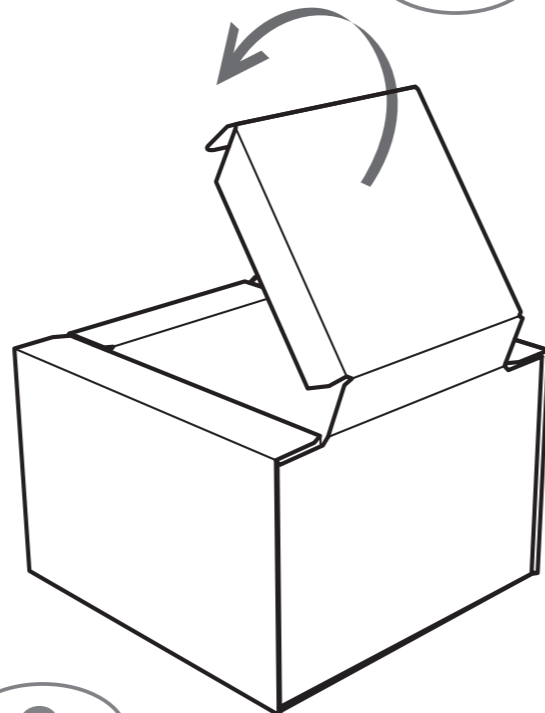
6



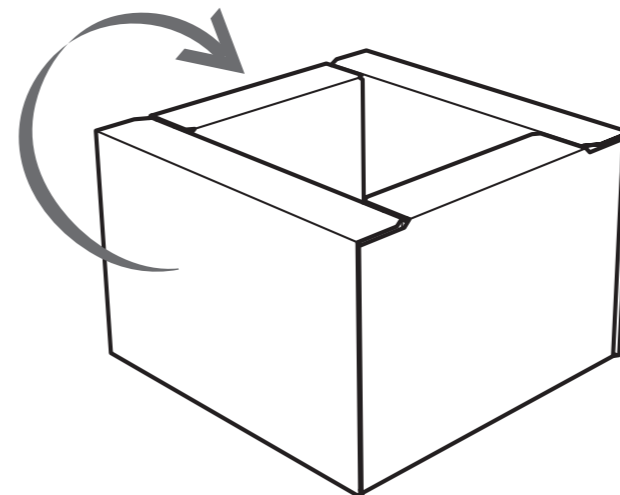
7



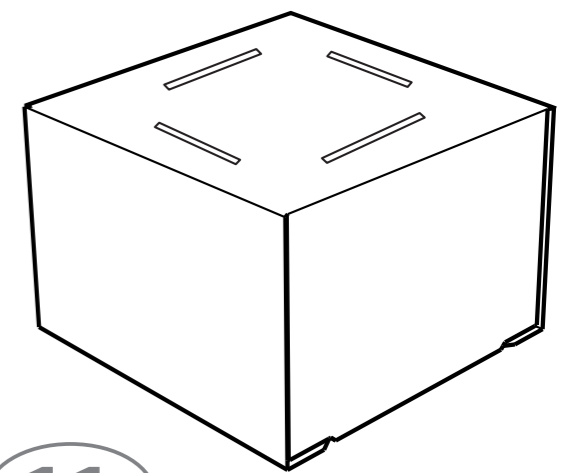
8



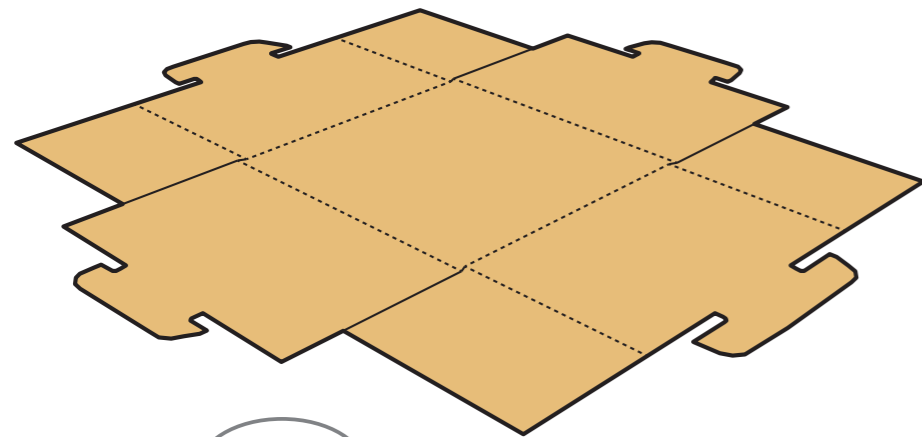
9



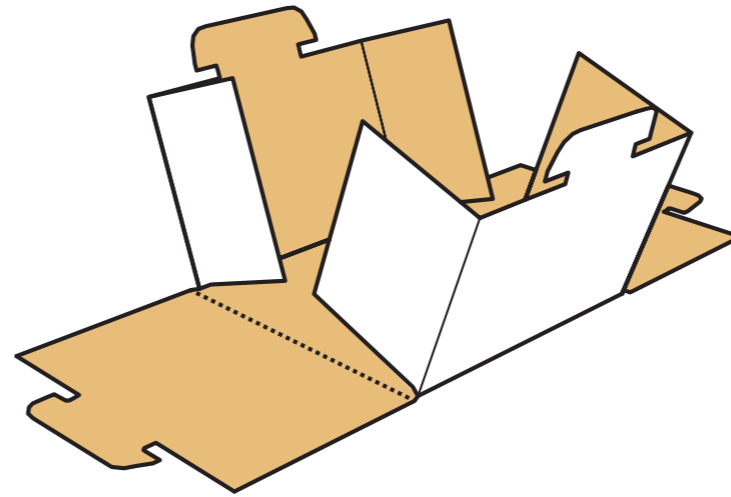
10



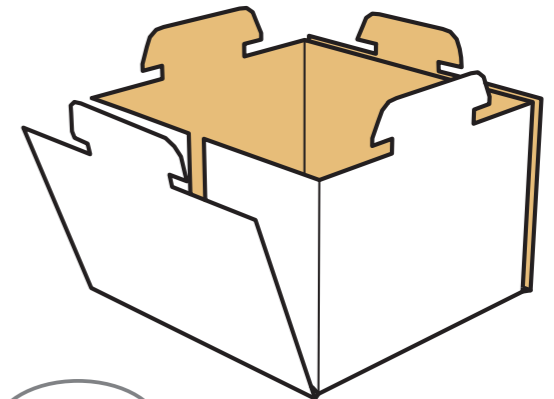
11



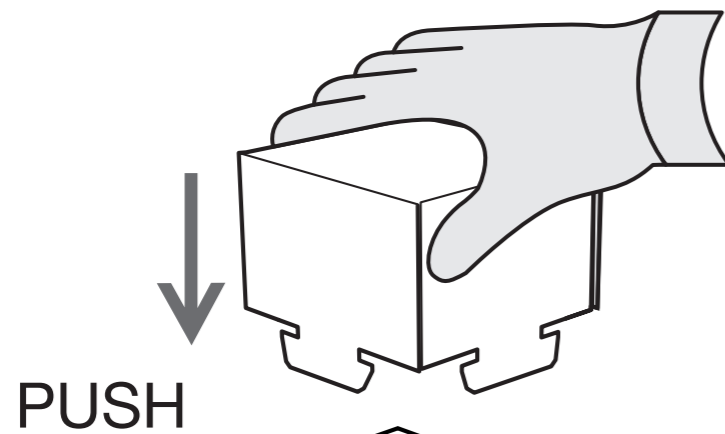
12



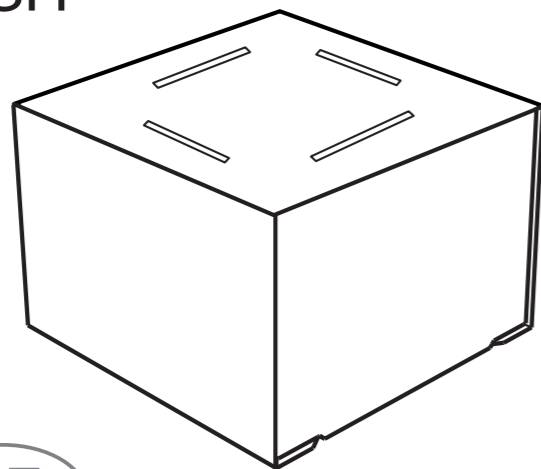
13



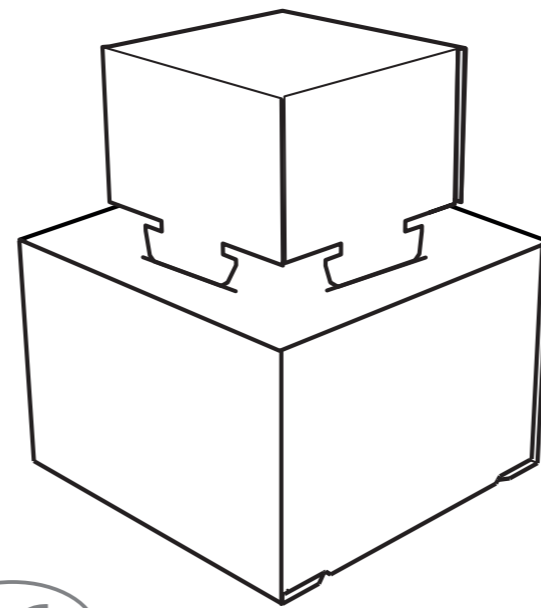
14



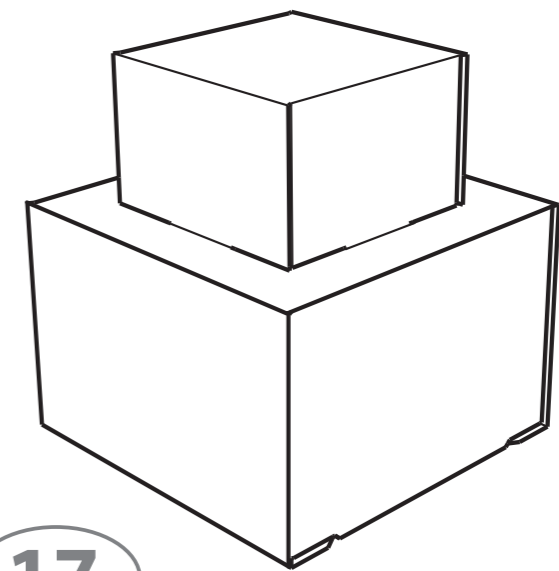
PUSH



15

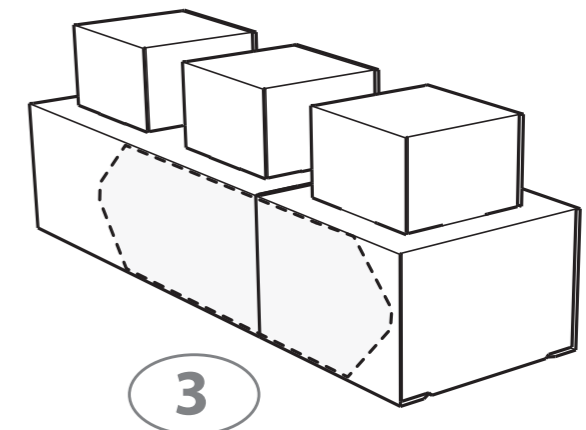
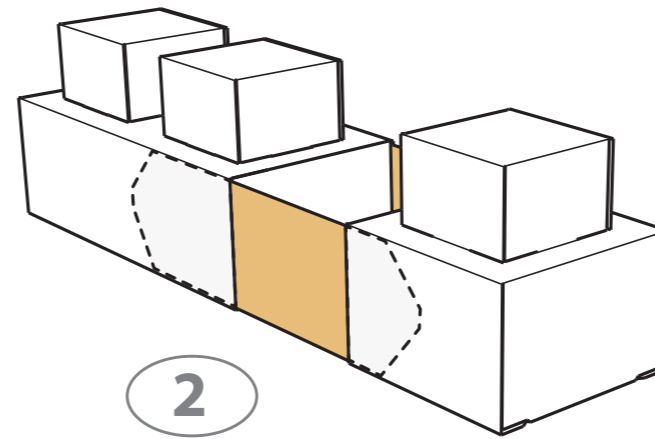
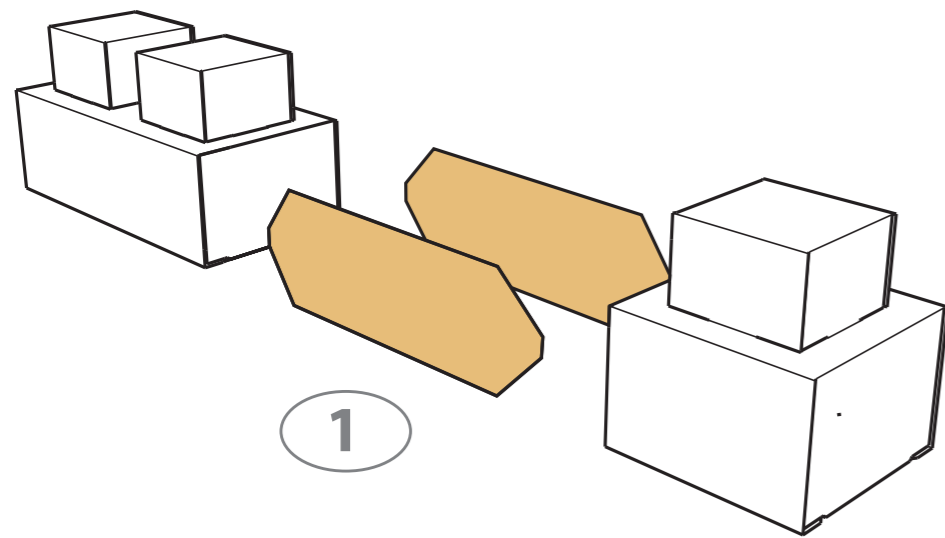
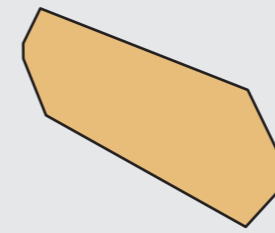


16



17

JUNCTIONS



EYE TABS

